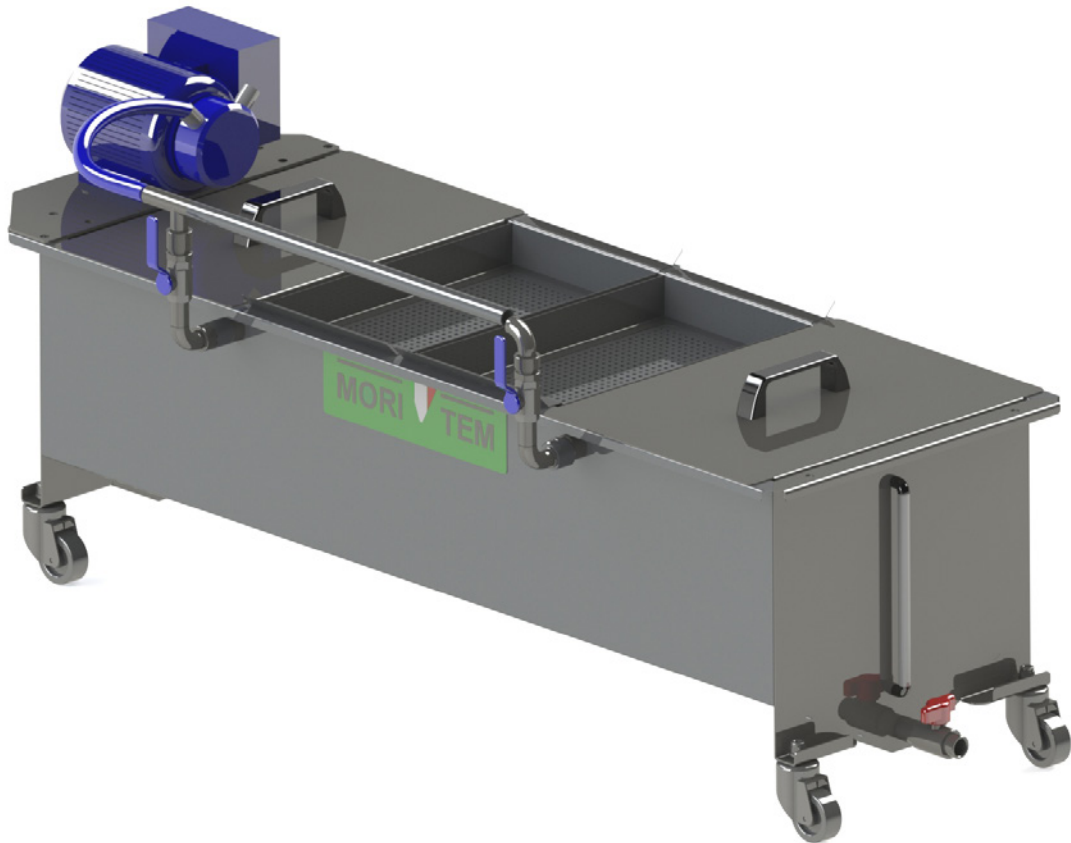


ΑΦΟΙ ΓΑΒΡΙΗΛΙΔΗ Α.Ε.Β.Ε.

Σταδίου 101, Τ.Κ. 59100 Βέροια
Τηλ. 23310 20262 Fax 23310 20263

<http://www.agroenos.com>



VASCHETTA CP.2S

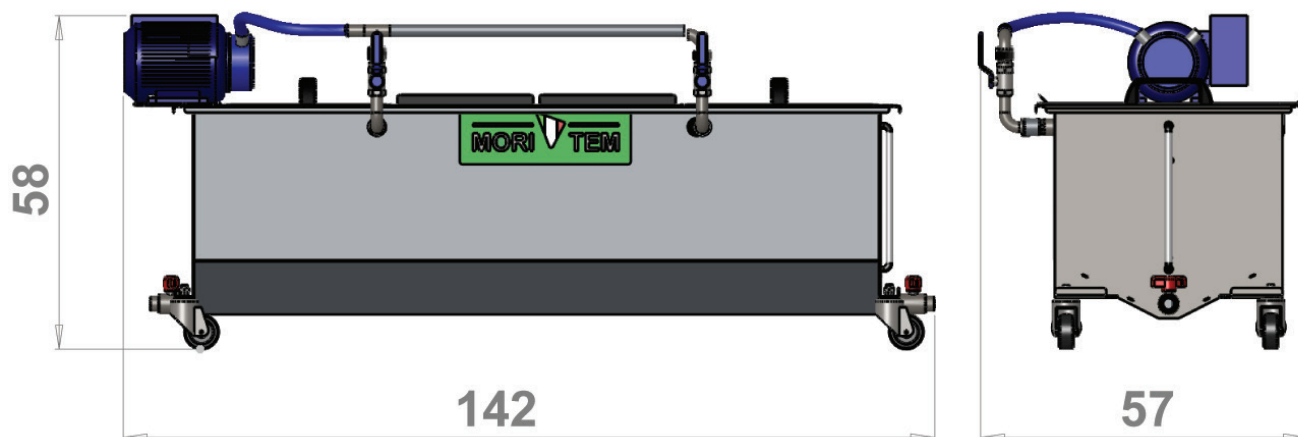


MORI-TEM

VASCHETTA CP.2S

ITA La Vaschetta CP.2S a due settori permette di separare le partite di olio in due vasche divise. Il modello GG.20 monta una pompa coassiale a girante in gomma, mentre il modello PH.30 monta una pompa monovite PH.30 con inverter per regolare il flusso. Un tubo di collegamento inox permette di prelevare l'olio selezionando la vasca tramite una valvola inox.

ENG CP.2S is a two sector vat allowing to separate different oil batches into two separated vats. The GG.20 model is equipped with coaxial pump with rubber impeller, whereas the PH.30 model is equipped with a PH.30 monoscrew pump with inverter for flow adjustment. A stainless steel connection pipe allows to take out oil selecting the vat by means of a stainless steel valve.



CARATTERISTICHE TECNICHE TECHNICAL FEATURES

	POTENZA (kW) POWER REQUIREMENTS (kW)	PRODUZIONE ORARIA (Lt/h) HOURLY PRODUCTION (Lt/h)	CAPIENZA (Lt) CAPACITY (Lt)	MODELLO POMPA PUMP MODEL
VASCHETTA CP.2S GG.20	0,50	200	120	GG.20 MF/TF
VASCHETTA CP.2S PH.30	0,37	200	120	PH.30 MF/TF